

KBZ SUBMERSIBLE DEWATERING PUMP

The body of motor and pump is made of rigid cast iron for long-lasting durability. Greatly increased maximum submersion depth due to mechanical seal resistant to high pressure (0.5Mpa) . Semi-open Impeller made of high chrome alloy match with wear plate (ductile iron) achieves superior durability. Effective motor cooling due to discharge channel cast as part of the motor housing. Space economy by a top outlet Discharge 50mm (2") to 150mm (6"), motor 1.5Kw (2HP) to 15Kw(20HP). Hermetically sealed motor equipped build-in thermal protection.



Specification

- Capacity: up to 147 m³/h
- Head: up to 51 meters
- Power: 1.5Kw(2HP) to 11 Kw (15HP)
- Power supply: three phase 400 volt - 440 volt or 3x220 volt
- Insulation class: F
- Protection class: IP68
- Cable: Length 8m
- Water temperature: up to 40°C
- Max. water depth: 50m

Application

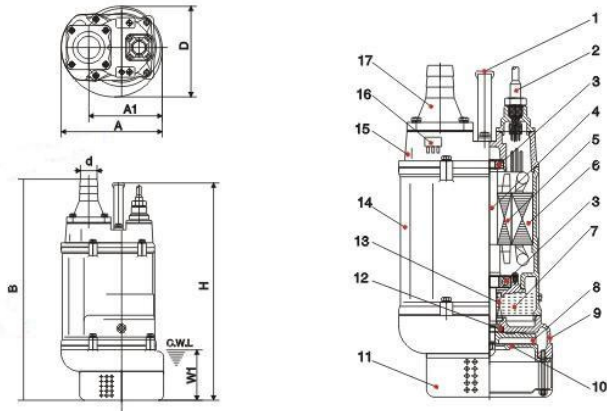
- Civil engineering
- Mines, quarries, coal ore & slurries
- Sewage treatment plants
- General pumping purposes

Special features on request

- Other voltages

MEUDY®

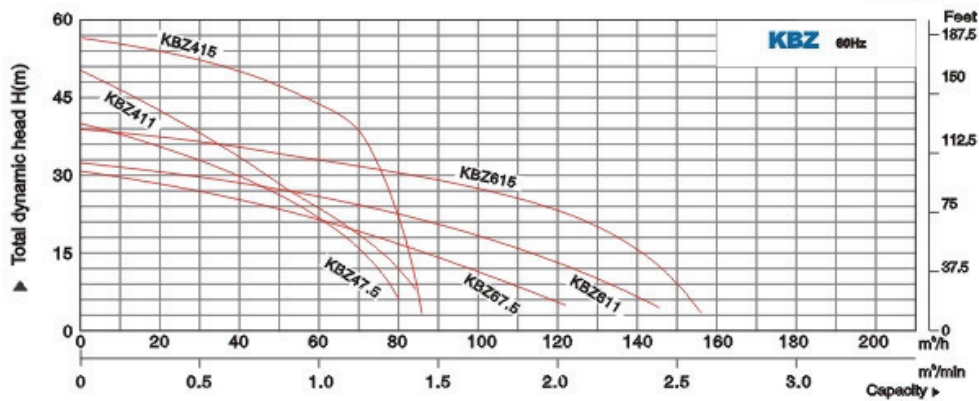
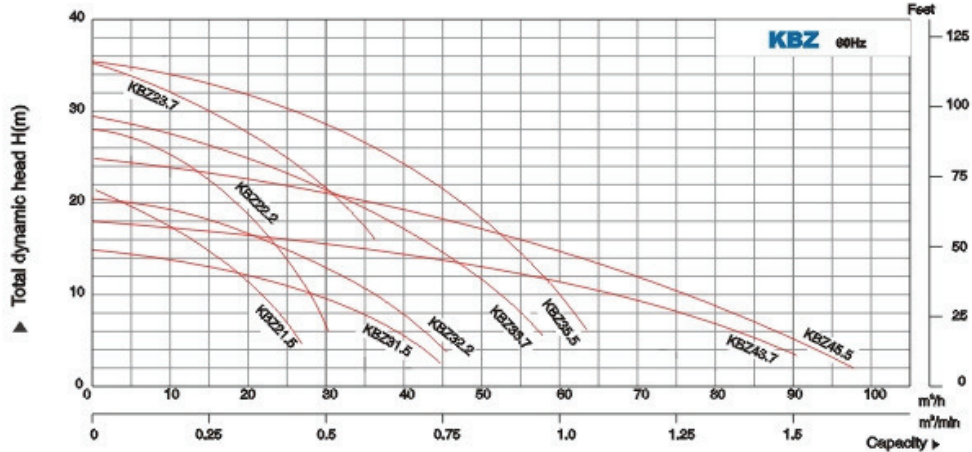
SUBMERSIBLE DEWATERING PUMP KBZ



Item No.	Part name	Material	Item No.	Part name	Material
1	Handle	Rubber & steel	10	End Plate	Ductile iron or high chrome alloy
2	Cable	2PNCT-F	11	Filter	Steel
3	Bearing	Ball Bearing	12	Oil seal bracket	
4	Shaft	AISI420SS	13	Mechanical seal	SiC-siC/SiC-siC
5	Rotor		14	Motor body	Cast Iron
6	Stator		15	Upper cover	Cast Iron
7	Lube oil		16	Motor protector	
8	Impeller	High chrome alloy or ductile Iron	17	Hose coupling	Cast Iron
9	Pump body	Cast Iron			

Model	d	A	A1	B	D	H	W1
KBZ21.5	50	235	173	517	216	486	120
KBZ31.5	80	235	173	517	216	486	120
KBZ22.2	50	235	173	517	216	486	120
KBZ32.2	80	235	173	517	216	486	120
KBZ23.7	50	283	208	628	252	638	150
KBZ33.7	80	283	208	628	252	638	150
KBZ43.7	100	283	208	642	252	638	150
KBZ35.5	80	306	218	671	259	688	150
KBZ45.5	100	306	218	686	259	688	150
KBZ47.5	100	330	240	784	314	676	190
KBZ411	100	373	255	807	350	695	190
KBZ67.5	150	330	240	790	314	676	190
KBZ611	150	373	255	807	350	695	190
KBZ415	100	373	255	842	350	755	190
KBZ415	100	373	255	842	350	755	190
KBZ615	150	373	255	842	350	755	190
KBZ615	150	373	255	842	350	755	190

Performance curves 60 HERTZ VERSIONS



Model(60Hz)	Outlet	Motor power		Max head	Max capacity		Impeller passage	N.W	G.W	Packing dimension
	mm	Kw	HP	m	m ³ /h	m ³ /min	mm	Kg	Kg	mm
KBZ21.5	50	1.5	2	21.0	25.0	0.42	8.5	34.5	37.5	585X275X250
KBZ22.2	50	2.2	3	28.0	31.0	0.52	8.5	36	39	585X275X250
KBZ23.7	50	3.7	5	34.5	35.0	0.58	8.5	60	65	675X315X280
KBZ31.5	80	1.5	2	15.0	45.0	0.75	8.5	34.5	37	585X275X250
KBZ32.2	80	2.2	3	20.5	47.0	0.78	8.5	36	39	585X275X250
KBZ33.7	80	3.7	5	29.0	55.0	0.92	8.5	60	65	675X315X280
KBZ35.5	80	5.5	7.5	35.0	62.0	1.03	8.5	77	84	725X350X345
KBZ43.7	100	3.7	5	18.0	90.0	1.50	8.5	61	66	675X315X280
KBZ45.5	100	5.5	7.5	24.4	97.0	1.62	8.5	78	85	725X350X345
KBZ47.5	100	7.5	10	40.0	80.0	1.33	11.5	105	114	805X365X395
KBZ411	100	11	15	48.5	84.0	1.40	11.5	130	140	855X415X445
KBZ415	100	15	20	57.0	84.0	1.40	11.5	142	153	890X415X445
KBZ67.5	150	7.5	10	31.0	122.0	2.03	19.5	106	114	835X365X395
KBZ611	150	11	15	32.0	147.0	2.45	19.5	133	143	855X415X445
KBZ615	150	15	20	39.0	160.0	2.67	19.5	145	156	890X415X445