

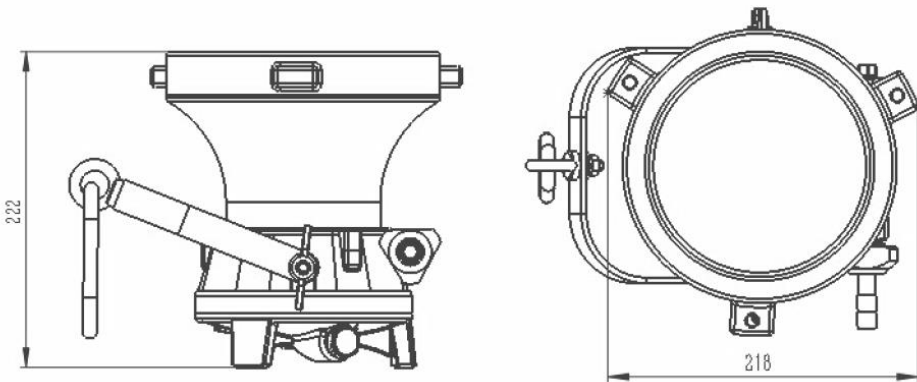
# POWERLIGHT

## Air Driven Lamp **Industrial Equipment**

### MODEL BH250B



The product could work under the Ambient temperature from  $-20^{\circ}\text{C}$  to  $+50^{\circ}\text{C}$ , ambient compressor air 80kPa-110kPa. It is apply to flammable powder area which is Zone 1 and Zone 2; Zone 21and Zone 22 of II class, apply to gas area of II A、II B、II C class. Temperature classification is from T1 to T6 explosion. We have got the explosion-proof certificate from the nation's inspection laboratory. It could be used in flammable and explosion area such as mines, petroleum enterprises, marines, gas stations, oil pump workshop, freight station and so on. Explosion-proof mark: Exs II T4/DIPA21 TA, T4.



Name	Item NO.	Volt	Watt and light source	Weight	classification	consumption
Explosion proof Air driven lamp	BH250B	24V	100W or 250W (Halogen)	13.5KG	IP67 when work, IP40 when not work	$<0.75\text{m}^3/\text{min}$ (0.4-0.8M Pa)